

RP39



A refrigeration type vinyl magnetic strip in an anodised aluminium housing, which provides a very tight seal for steel clad doors and jambs, and may be used as a stop. For timber doors, a thin steel strip can be attached to the door face. The magnetic strip has sufficient closing strength that latches are not required. It can also be used in pairs on meeting stiles of timber doors.

Note: As an astragal seal, RP39 is not recommended for highly active doors, ie: best suited to infrequent use and door closer hold open applications.

Location Single or double doors, sliding doors and stiles, heads and jambs or bulk head applications. Broad butt hinges recommended.

Min/Max Gap
4mm to 8mm (meeting stiles).

Standard Finish
Aluminium anodised 15 microns. Satin Clear (Silver) or Bronze finish.

P.E. Paint (extra cost). Is a two pack polyester enamel colour match finish which is equal to or exceeds powdercoat finish.

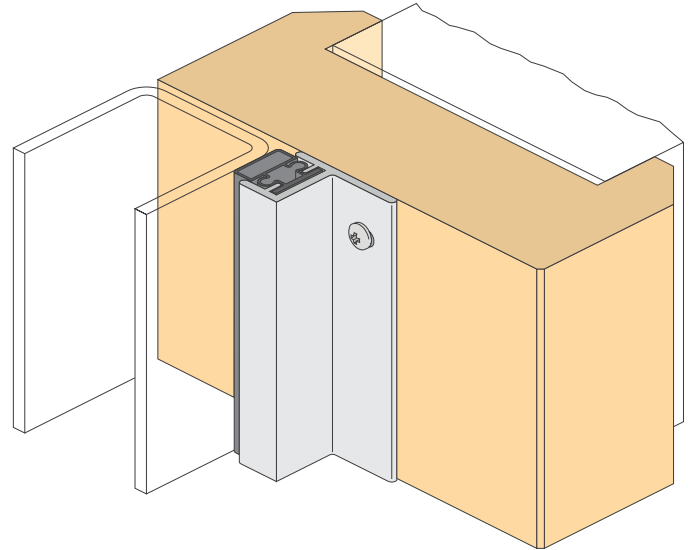
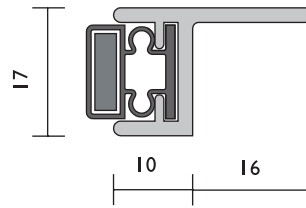
Seal Sizes Available in stock lengths.

Fixing Method Zinc plated, cross recess head S.T. screws of the appropriate size are supplied. Fixing holes are slotted.

Seal Material PVC (charcoal).

Used in conjunction
Door bottom seals.

Approvals
Fire
AUS/NZ: Tested to AS 1530.4 & AS/NZS 1905.1.
UK/EU: Tests above are similar to BS EN 1634.1, BS 476 Part 20 & 22.



RP85



A magnetic seal that is fixed to the head and jambs as a door stop where steel clad doors are used. For timber doors, a thin steel strip can be attached to the door face. The magnetic strip has sufficient closing strength that latches are not required.

Note: If fixing to rebated frames of single doors, specify a long backset door latch.

Location
Head and Jamb for single and double broad butt hinged doors.

Min/Max Gap
0 - 4mm (user determined).

Seal Sizes Available in stock lengths.

Standard Finish
Aluminium anodised 15 microns. Satin Clear (Silver) or Bronze finish.

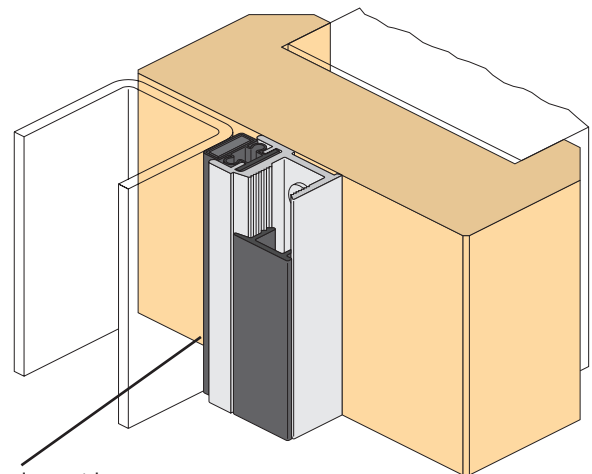
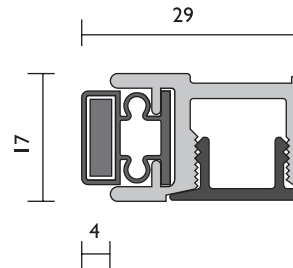
P.E. Paint (extra cost). Is a two pack polyester enamel colour match finish which is equal to or exceeds powdercoat finish.

Fixing Method
Zinc plated, cross recess head S.T. screws of the appropriate size are supplied.

Seal Material
PVC (charcoal).

Used in conjunction
Door bottom seals and astragal seals.

Approvals
Acoustic AUS/NZ: Conforms to BCA Sec. F5.5. Tested to AS 1191, AS 1045, AS/NZS 1276.
UK/EU: Conforms to Approved Document E. Tested to BS EN ISO140.3 (similar to BS EN ISO 717.1, BS 2750, BS 5821).



Timber door with steel insert (By others)